

Specifications

Physical Characteristics

- Description: Stop & Waste Valve - Brass
- Connection Type: Female Thread x Female Thread
- Stop, waste and cap
- Handle Color: Yellow
- Max. Operating Temp. Rating: 82° F
- Max. Operating Pressure Rating: 125 PSI non-shock WOG
- CSA B125 Certified
- Meets ANSI/NSF 61-8 Low Lead Requirements



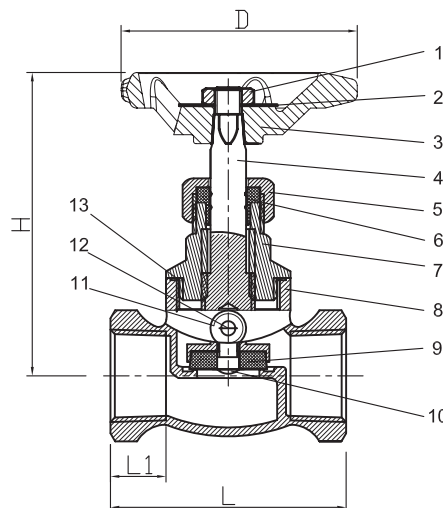
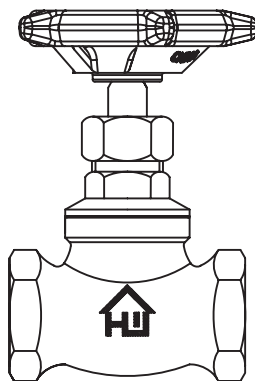
Certifications



VSW-STD-B3PA
VSW-STD-B4PA
VSW-STD-B3B
VSW-STD-B4B

PART NO.	SIZE	L		L1		H		D		WEIGHT g
		mm	In.	mm	In.	mm	In.	mm	In.	
VSW-STD-B3PA	1/2"	55	2.17	13.5	0.53	67.4-73.9	2.66-2.91	53.1	2.09	261
VSW-STD-B4PA	3/4"	58	2.28	14.1	0.56	67.4-73.9	2.66-2.91	53.1	2.09	319

PART NO.	SIZE	L		L1		H		D		WEIGHT g
		mm	In.	mm	In.	mm	In.	mm	In.	
VSW-STD-B3B	1/2"	55	2.17	13.5	0.53	67.4-73.9	2.66-2.91	53.1	2.09	261
VSW-STD-B4B	3/4"	58	2.28	14.1	0.56	67.4-73.9	2.66-2.91	53.1	2.09	319



NO.	DESCRIPTION	MATERIAL
1	Handle nut	Steel
2	Name plate	Aluminum
3	Handle	Cast iron
4	Stem	Brass
5	Packing nut	Brass
6	Packing	Rubber
7	Bonnet	Brass
8	Body	Brass
9	Disc	Rubber
10	Disc screw	Brass
11	Drain cup nut	Brass
12	Drain packing	Rubber
13	Washer	Teflon